

Scandinavian professional quality since the 1960's



Katalog



Sunnex AM



Sunnex AM is the original machine mount with excellent anti-vibration and levelling performance. Designed for a versatile and professional use within industrial and production applications. Proven quality and effective vibration damping with great noise reduction properties.

Sunnex AM mounts are available in stainless steel or zinc plated finish. The stainless steel mount is designed to meet the specific requirements imposed in humid, wet or corrosive environments within the process

The built in levelling bolt allows the Sunnex AM to be vertically adjusted with considerable accuracy, allowing a 7° inclination while still retaining full stability.

Preferences

- Loads up to 2000 kg, per machine mount
- Stainless or zinc plated finish
- Special Nitrile rubber mixture
- Integrated bolt with precision levelling
- Perfect for sloping surfaces

Applications

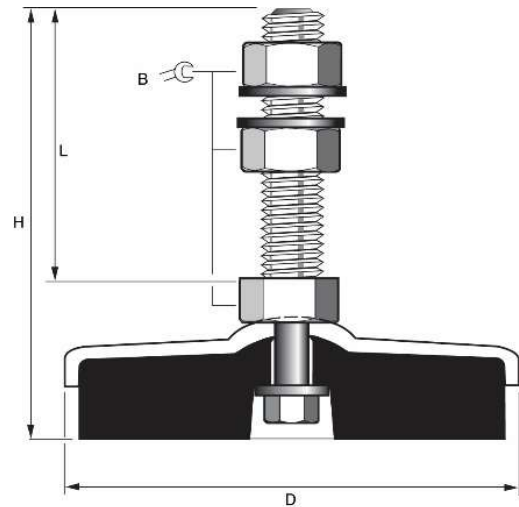
- Manufacturing industry
- Process industry
- Food, drink and pharmaceutical
- Conveyor belts
- Light & medium duty machines

Advantages

- Excellent anti-vibration
- Excellent levelling
- Excellent for sloping surface
- Reduction of noise

Technical specification AM

Rubber:	Special Nitrile rubber
Finish:	Stainless or Zinc plated
Load capacity:	50-2000 kg
Diameter, D:	68-150 mm
Height, H:	100-202 mm
Length, L:	100-150 mm
Key grip, B:	17-36 mm
Inclination:	0-7 degrees



Load range daN (kg)	D mm	L mm	H mm	Levelling bolt	B mm	Part no. Stainless	Part no. Zink plated
50-150	68	100	125	M10 x 1,50	17	10521	10525
		120	146	M12 x 1,75	19	10523	10553
			148	M16 x 2,00	24	10545	10555
			151	M20 x 2,50	30	10547	10557
100-250	68	100	125	M10 x 1,50	17	10522	10526
		120	146	M12 x 1,75	19	10524	10554
			148	M16 x 2,00	24	10546	10556
			151	M20 x 2,50	30	10548	10558
50-500	98	120	158	M12 x 1,75	19	10531	10535
				M16 x 2,00	24	10533	10538
				M20 x 2,50	30	10565	10575
		150	191	M24 x 3,00	36	10567	10577
450-1000	98	120	158	M12 x 1,75	19	10532	10536
				M16 x 2,00	24	10534	10539
				M20 x 2,50	30	10566	10576
		150	191	M24 x 3,00	36	10568	10578
900-1500	140	120	169	M12 x 1,75	19	10620	10640
				M16 x 2,00	24	10621	10641
				M20 x 2,50	30	10622	10642
		150	202	M24 x 3,00	36	10623	10643
1400-2000	140	120	169	M12 x 1,75	19	10630	10650
				M16 x 2,00	24	10631	10651
				M20 x 2,50	30	10632	10652
		150	202	M24 x 3,00	36	10633	10653

Sunnex BOLTS



Choose from our professional selection of standard bolts or let us produce and supply all needed bolts for your business.

Everything is delivered from our logistic hub in Sweden for a global market, in a cost-effective and sustainable manner.

Preferences

- Standard bolts for machine mounts
- Galvanized or stainless steel
- Nuts and washers
- Special bolts per specification

Applications

- Machine mounts
- Machinery
- Assembly
- Engineering

Advantages

- Excellent quality
- Excellent versatility
- Excellent deliveries
- Customer focus

Sunnex LL



Sunnex LL is a machine mount that is specially designed to provide stable levelling and great versatility for use with all sorts of industry and office/warehouse equipment.

Sunnex LL consists of a galvanized levelling screw with an articulated foot that allows inclinations of up to 10°

The underside of the mount is coated with a thin friction mat of specially treated nitrile rubber that provides a stable installation with an accurate friction to the surface.

Preferences

- Loads up to 2000 kg, per machine mount
- Galvanized
- Special Nitrile rubber mixture
- Integrated galvanized bolt with precision levelling.
- Inclinations up to 10°

Applications

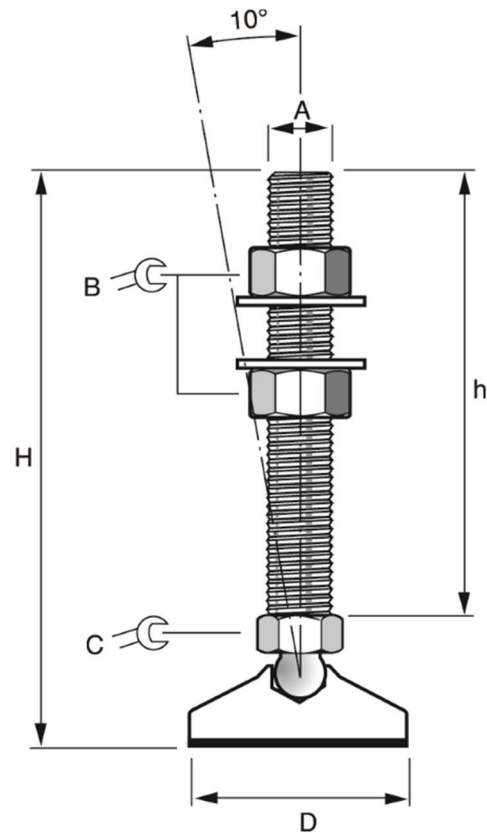
- Engineering machinery
- Warehouse equipment
- Office equipment
- Home appliances
- Light to medium duty machines

Advantages

- Excellent levelling
- Excellent friction to surface
- Excellent stability
- Inclination optimization

Technical specification LL

Rubber:	Special Nitrile rubber mixture
Finish:	Galvanized
Load capacity:	1000-2000 kg
Diameter, D:	32-60 mm
Height, H:	105-110 mm
Height, h:	75-80 mm
Key grip, B:	19-22 mm
Key grip, C:	14-16 mm
Bolt size, A:	M12-M14
Inclination:	0-10 degrees



Model	Max load per machine mount daN (kg)	D mm	H mm	h mm	B mm	C mm	A mm	Part no.
LL 10	1000	32	105	75	19	14	M 12	50001
LL 12	1200	45	105	75	19	14	M 12	50002
LL 20	2000	60	110	80	22	16	M 14	50003

Sunnex LLM19



Sunnex LLM19 is a levelling machine mount. This mount is specially designed for stable levelling of lighter equipment

All machine mounts in the LLM19 series consists of a levelling bolt with a vulcanized rubber feet, in two different degrees.(IRH)

The rubber molding has excellent friction to the surface and provides a safe and dependable installation.

Preferences

- Loads up to 75 kg per machine mount
- Galvanized or stainless steel
- Special Nitrile rubber mixture
- Integrated vulcanized bolt with precision levelling.

Applications

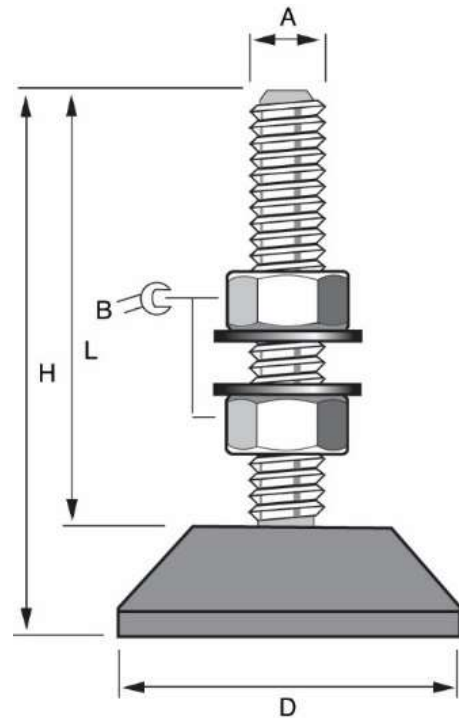
- Small machines
- Assembly stations
- Office equipment
- Home appliances
- Compressors

Advantages

- Excellent levelling
- Excellent friction to surface
- Excellent anti-vibration
- Reduction of noise

Technical specification LLM19

Rubber:	Special Nitrile rubber mixture
Finish:	Stainless or galvanized steel
Load capacity:	Up to 75 kg
Diameter, D:	46 mm
Height, H:	53-75 mm
Length, L:	38-60 mm
Key grip, B:	17 mm
Bolt size, A:	M10



Model	Max load per machine mount daN (kg)	D mm	A mm	B mm	H mm	L mm	Stainless / Galvanized	Color	Part no.
LLM 19	40	46	M10	17	53	38	G	Grey	10405
							S	Grey	10406
					75	60	G	Grey	10409
							S	Grey	10404
	75	46	M10	17	53	38	G	Black	10400
							S	Black	10401
					75	60	G	Black	10407
							S	Black	10408

Sunnex MHD



Sunnex MHD is the result of a market demand and a close cooperation with our valued customers. A compact design with convenient mounting solution and long life duration. Sunnex MHD is a cost effective mount incorporating our legacy with excellent anti-vibration and precise levelling performance.

Sunnex MHD consists of an impact resistant chassis with an integrated special nitrile rubber mixture. Consistent force distribution via our robust and integrated pressure plate.

Designed to deliver outstanding characteristics for stabilization and damping of vertical as well as horizontal forces. Exceptional for medium heavy and heavy fast speed machines.

Preferences

- Loads up to 5500 kg, per machine mount
- Cast iron
- Special Nitrile rubber mixture
- Integrated galvanized bolt with precision levelling.
- Galvanized pressure plate for great shock absorption.

Applications

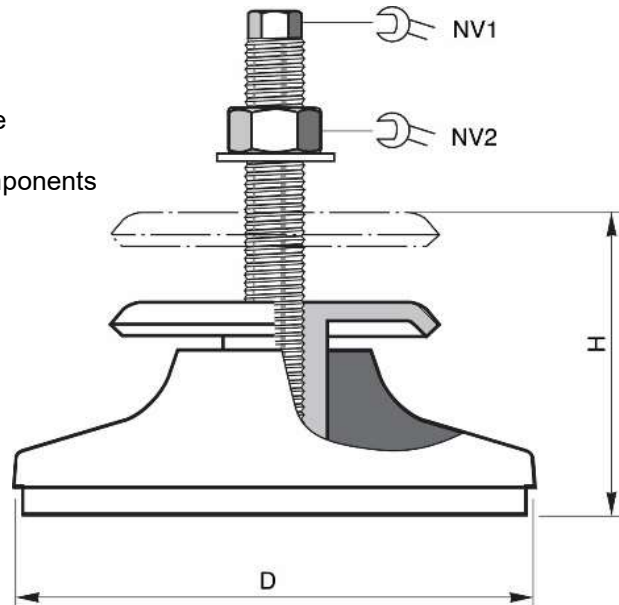
- Manufacturing industry
- Process industry
- Press- & stamping machines
- Extrusion machines
- Medium to heavy duty machines

Advantages

- Excellent anti-vibration
- Excellent levelling
- Excellent friction to surface
- Reduction of noise

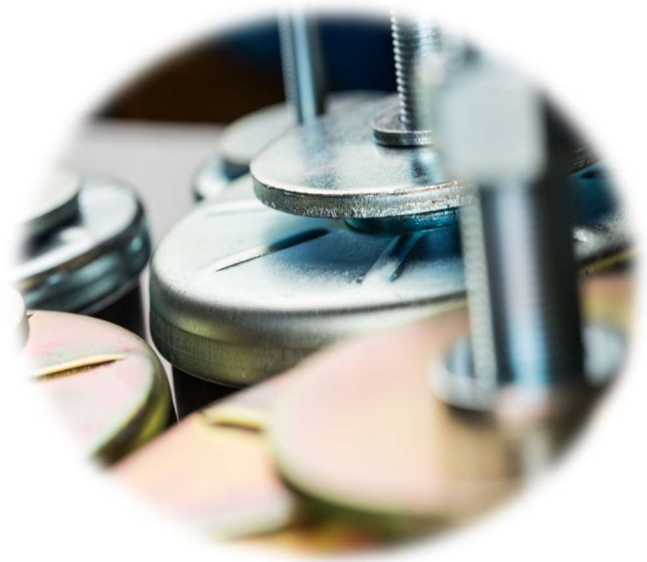
Technical specification MHD

- Rubber: Special Nitrile rubber mixture
- Finish: Painted with galvanized components
- Load capacity: 500-5500 kg
- Diameter, D: 140-240 mm
- Height, H: 60-107 mm
- Key grip 1, NV1: 12-17 mm
- Key grip 2, NV2: 24-36 mm



Model	Load range daN (kg)	D mm	H mm	Levelling bolt	NV1 mm	NV2 mm	Part No.
MHD 130	500-1500	140	60-78	M16 x 1,5 x 150	12	24	48003
MHD 165	900-2700	174	60-84	M20 x 1,5 x 150	15	30	48006
MHD 190	1500-4000	198	60-84	M20 x 1,5 x 150	15	30	48009
MHD 240	2300-5500	245	80-107	M24 x 2,0 x 150	17	36	48012

Sunnex OSM



Sunnex OSM is the original machine mount with excellent anti-vibration and levelling performance. Designed for a versatile and professional use within industrial and production applications. Proven quality and effective vibration damping with great noise reduction properties.

Sunnex OSM consists of a fine threaded pressure plate adjusted by an integrated levelling bolt. The design rests on a steel chassis with a rubber damping mixture that is highly resistant to grease, oil and cooling emulsions.

With a Swedish manufacturing legacy, dating back to the 1960's, Sunnex OSM is the original machine mount built with an authentic quality for long-term cost efficiency.

Preferences

- Loads up to 5500 kg, per machine mount
- Galvanized
- Special Nitrile rubber mixture
- Integrated bolt with precision levelling
- Pressure plate for shock absorption

Applications

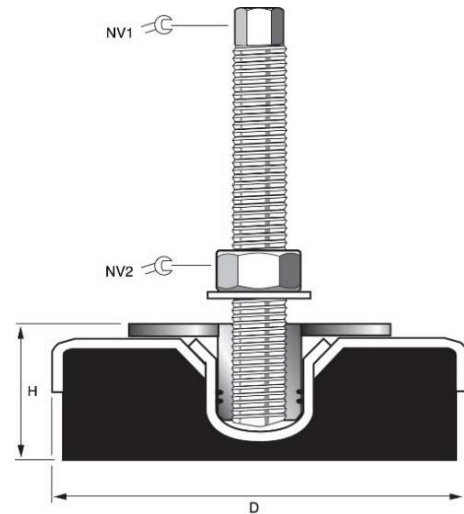
- Manufacturing industry
- Process industry
- Press- & stamping machines
- Extrusion machines
- Light to heavy duty machines

Advantages

- Excellent anti-vibration
- Excellent levelling
- Excellent friction to surface
- Reduction of noise

Technical specification OSM

Rubber:	Special Nitrile rubber mixture
Finish:	Galvanized
Load capacity:	50-5500 kg
Diameter, D:	80-200 mm
Height, H:	38-71 mm
Bolt Length:	120-170 mm
Key grip 1, NV1:	9-15 mm
Key grip 2, NV2:	19-30 mm



Model	Load area daN (kg)	Injection moulds <100 cycles/h daN (kg)	Presses, strokes/min			Levelling bolt	NV1 mm	NV2 mm	D mm	H mm	Part no.
			<125 daN (kg)	125-160 daN (kg)	160-200 daN (kg)						
OSM 1	50-500	50-200	70-200	60-140	50-120	M12x1,25x120	9	19	80	38-50	10331
OSM 2	400-1000	200-400	200-400	120-350	100-250	M16x1,50x120	12	24	120	46-59	10332
OSM 3	800-2000	400-1000	400-1400	350-1100	250-725	M20x1,50x170	15	30	160	53-68	10333
OSM 4	1500-4000	1500-2500	1700-2800	1000-2100	800-1400	M20x1,50x170	15	30	160	54-69	10334
OSM 5	3000-5500	2000-3800	3000-4000	2000-3500	1400-2400	M20x1,50x170	15	30	200	56-71	10335

Sunnex SM



Sunnex SM is an anti-vibration machine mount especially developed for installation and damping of light and medium heavy machines e.g. high speed machines

Sunnex SM comprises a square cast iron pressure plate that rests on a Sunnex SP714 pad that withstands most types of grease, acid, oil and cooling emulsion normally used within the industry sector.

Sunnex SM can be combined with a wide variety of galvanized levelling bolts of different lengths, threads and diameters

Preferences

- Loads up to 3400 kg, per machine mount
- Cast iron pressure plate
- Sunnex SP714 damping pad
- Add bolts for precision levelling

Applications

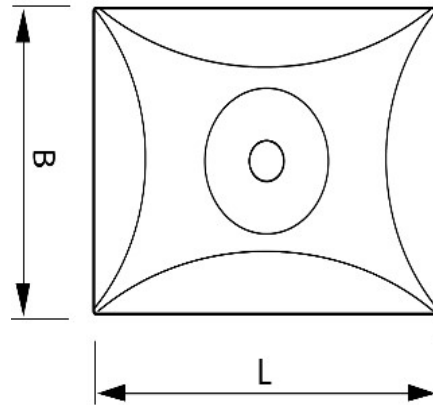
- Manufacturing industry
- Process industry
- Press- & stamping machines
- Extrusion machines
- Light to medium duty machines

Advantages

- Excellent anti-vibration
- Excellent levelling add on
- Excellent friction to surface
- Reduction of noise

Technical specification SM

Rubber:	Special Nitrile rubber mixture
Finish:	Cast iron
Load capacity:	275-3400 kg
Bolt dimensions:	M12-M24
Height, H:	26-32 mm
Length, L:	83-173 mm
Width, B:	83-173 mm



Model	Load area per machine mount daN (kg)	L mm	B mm	H mm	Part no.
SM 61	275-575	83	83	26	46002
SM 63	900-2400	148	148	30	46006
SM 64	1200-3400	173	173	32	46008
L mm	Levelling bolt	NV1 mm	NV2 mm	Part no.	
120	M12 x 1,25	9	19	19013	
150	M12 x 1,25	9	19	19014	
210	M16 x 1,50	12	24	19020	
250	M20 x 1,50	15	30	19025	
300	M24 x 1,50	17	36	19029	

